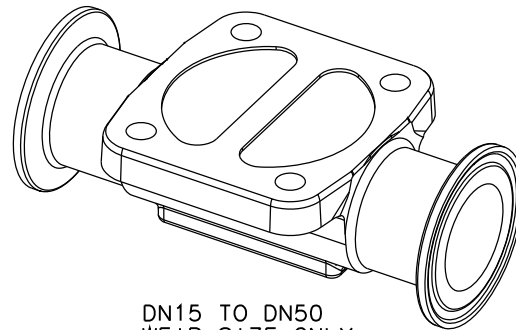
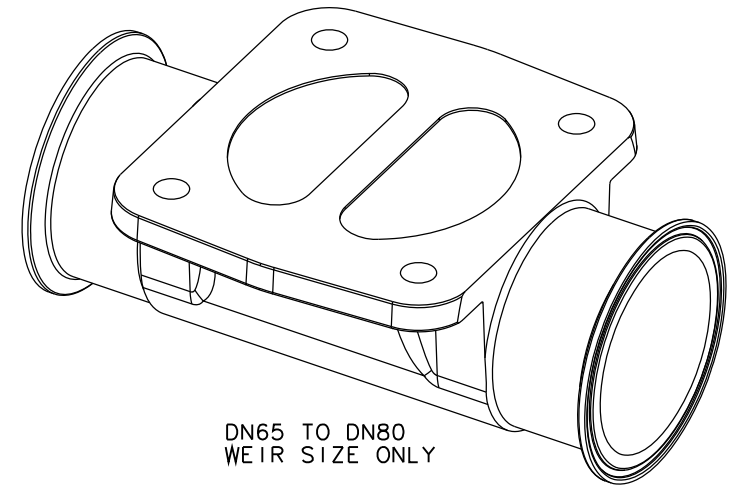


DN8 WEIR SIZE ONLY

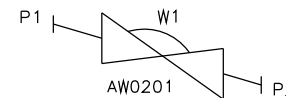
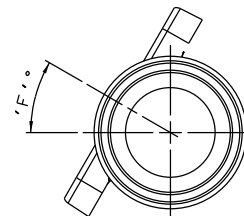


DN15 TO DN50  
WEIR SIZE ONLY



DN65 TO DN80  
WEIR SIZE ONLY

VALVE SIZE	A	B	C	∅D	∅E	F	BODY WEIGHT
mm	mm	mm	mm	mm	mm	DEGREES	KGS
DN8	78.0	21.5	9.6	34.0	10.3	20	0.1
DN15 (DN10 END)	108.0	30.5	13.0	34.0	14.0	25	0.3
DN15	108.0	30.5	13.0	34.0	18.1	19	0.3
DN20	117.0	28.5	16.0	50.4	23.7	21	0.5
DN25	127.0	28.5	19.5	50.4	29.7	12	0.8
DN40 (DN32 END)	159.0	31.5	28.0	63.9	38.4	22	1.6
DN40	159.0	31.5	28.0	63.9	44.3	17	1.3
DN50	190.0	40.9	33.5	77.4	55.1	16	2.1
DN65	217.0	42.0	40.5	90.9	70.9	14	3.4
DN80	254.0	48.0	48.0	105.9	83.7	20	5.4



SELF DRAIN  
POSITION IN  
HORIZONTAL  
ORIENTATION

DRAIN ANGLE TOLERANCE =  $\pm 2^\circ$

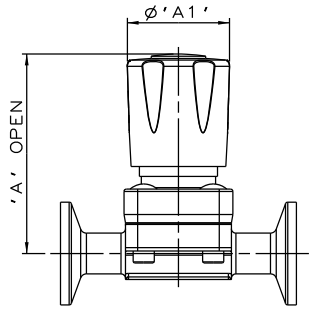
The information on this sheet is Private and Confidential and is the property of Crane Process Flow Technologies Limited and must not be published directly or indirectly in any manner whatsoever without the written permission of the Company and must not be used in any way detrimental to their interests.  
© Crane Process Flow Technologies

**CRANE** Process Flow Technologies  
A Crane Co. Company

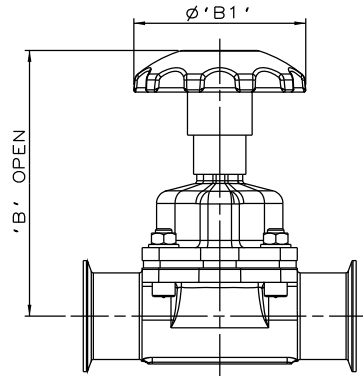
**Saunders**  
The Science Inside

Title  
SCHEDULE OF LEADING DIMENSIONS FOR 2-WAY  
MKIV FORGED BODY WITH HYGIENIC CLAMP ENDS  
WITH ISO 1127 S1 BORE.

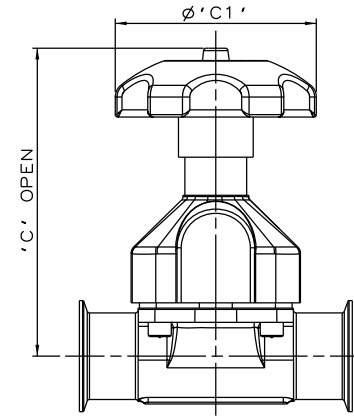
Drawn RI	Date 08.11.11	UNCONTROLLED IN HARD COPY FORMAT	
Checked RND	Date 03.10.12		
First Angle Projection Method E	DO NOT SCALE	Drawing No. WEB-092	Issue. 2



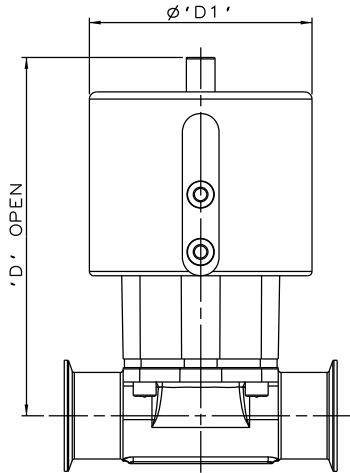
PURE PERFORMANCE BONNET ASSEMBLY



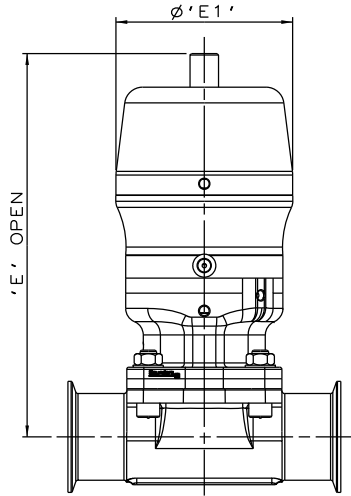
SS NON SEALED BONNET ASSEMBLY



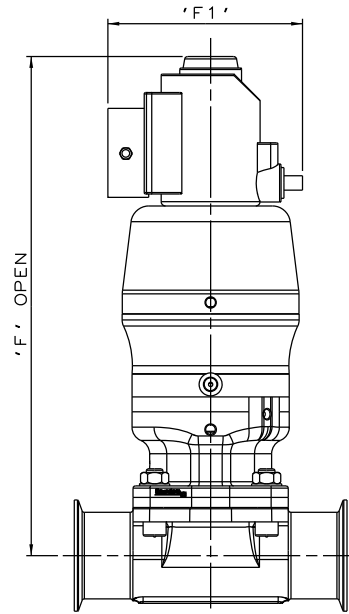
PES BONNET ASSEMBLY



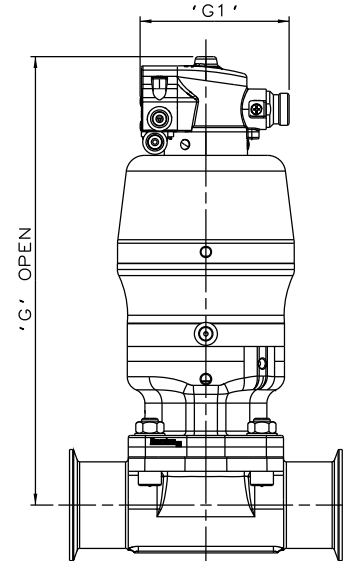
EC ACTUATOR (ALL MODES)



\*S360 ACTUATOR



\*S360 ACTUATOR WITH I-VUE SENSOR



\*S360 ACTUATOR WITH M-VUE SENSOR

\* DIMENSIONS SHOW MAXIMUM ENVELOPE FOR ALL MODES

VALVE SIZE	A		A1		B		B1		C		C1		D		D1		E		E1		F		F1		G		G1		
mm	mm	inch	mm	inch	mm	inch	mm	inch	mm	inch	mm	inch	mm	inch	mm	inch	mm	inch	mm	inch	mm	inch	mm	inch	mm	inch	mm	inch	
DN8	0.25	66.0	2.60	34.0	1.34	N/A	N/A	N/A	N/A	N/A	N/A	N/A	N/A	88.6	3.49	58.0	2.28	89.6	3.53	55.0	2.18	188.6	7.43	136.0	5.35	154.6	6.09	103.8	4.09
DN15	0.50	N/A	N/A	N/A	N/A	88.0	3.46	62.0	2.44	111.0	4.37	62.0	2.44	115.0	4.53	70.0	2.75	139.0	5.47	67.5	2.66	235.0	9.25	136.0	5.35	199.3	7.85	103.8	4.09
DN20	0.75	N/A	N/A	N/A	N/A	91.0	3.58	62.0	2.44	117.0	4.61	62.0	2.44	160.0	6.30	103.0	4.05	167.0	6.57	98.0	3.87	263.0	10.35	136.0	5.35	228.0	8.98	103.8	4.09
DN25	1.00	N/A	N/A	N/A	N/A	113.5	4.47	80.0	3.15	147.5	5.81	80.0	3.15	167.5	6.59	103.0	4.05	175.5	6.91	98.0	3.87	272.5	10.73	136.0	5.35	236.5	9.31	103.8	4.09
DN40	1.50	N/A	N/A	N/A	N/A	164.0	6.46	120.0	4.72	205.0	8.07	140.0	5.51	231.0	9.09	155.0	6.10	230.0	9.06	123.0	4.84	317.0	12.48	136.0	5.35	281.0	11.06	103.8	4.09
DN50	2.00	N/A	N/A	N/A	N/A	185.5	7.30	120.0	4.72	214.5	8.44	140.0	5.51	249.5	9.82	155.0	6.10	272.5	10.73	150.0	5.92	356.5	14.04	136.0	5.35	320.5	12.62	103.8	4.09
DN65	2.50	N/A	N/A	N/A	N/A	233.5	9.19	170.0	6.69	226.5	8.92	140.0	5.51	N/A	N/A	N/A	N/A	334.5	13.17	186.0	7.32	414.5	16.32	136.0	5.35	N/A	N/A	N/A	N/A
DN80	3.00	N/A	N/A	N/A	N/A	259.0	10.20	230.0	9.06	299.0	11.77	250.0	9.84	N/A	N/A	N/A	N/A	407.0	16.02	236.0	9.29	480.0	18.90	136.0	5.35	N/A	N/A	N/A	N/A

The information on this sheet is Private and Confidential and is the property of Crane Process Flow Technologies Limited and must not be published directly or indirectly in any manner whatsoever without the written permission of the Company and must not be used in any way detrimental to their interests.  
© Crane Process Flow Technologies

**CRANE** Process Flow Technologies  
A Crane Co. Company

**Saunders**  
The Science Inside

Title  
SCHEDULE OF LEADING DIMENSIONS FOR 2-WAY MKIV FORGED BODY WITH HYGENIC CLAMPS ENDS WITH ISO 1127 S1 BORE. FITTED WITH TOPWORKS OPTIONS

Drawn R1 Date 08.05.17  
Checked RND Date 08.05.17

UNCONTROLLED IN HARD COPY FORMAT

First Angle Projection Method E

DO NOT SCALE  
Drawing No. WEB-092-ASSY Issue. 1